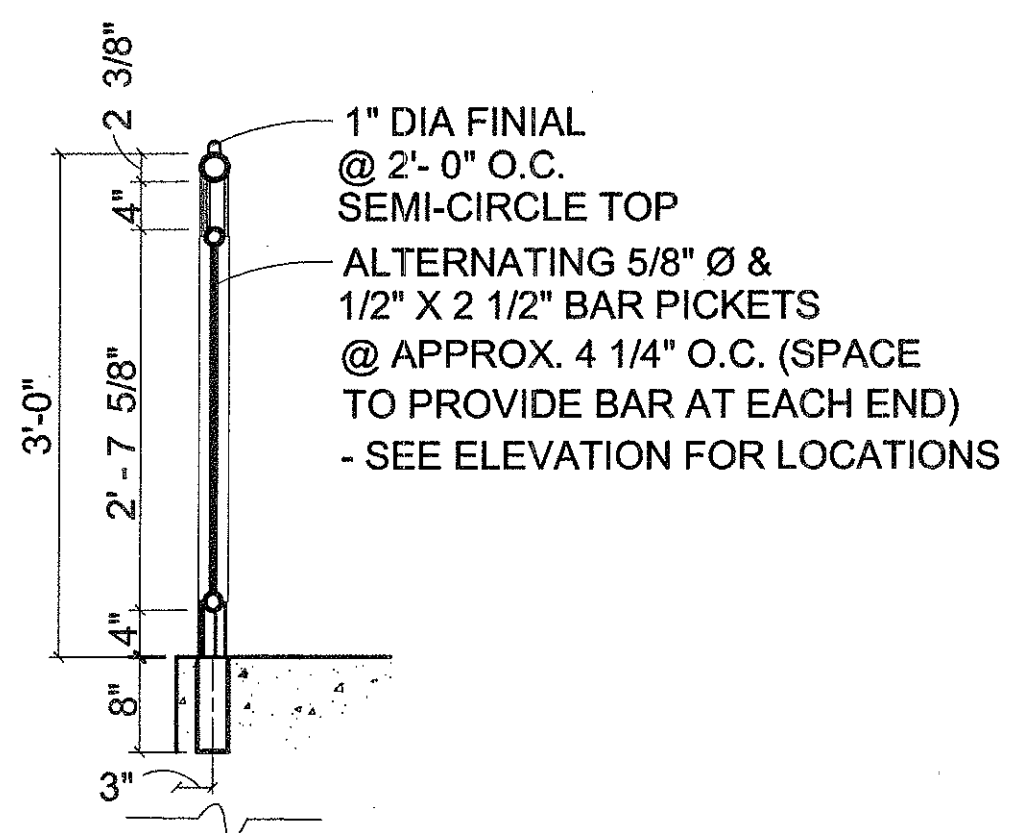
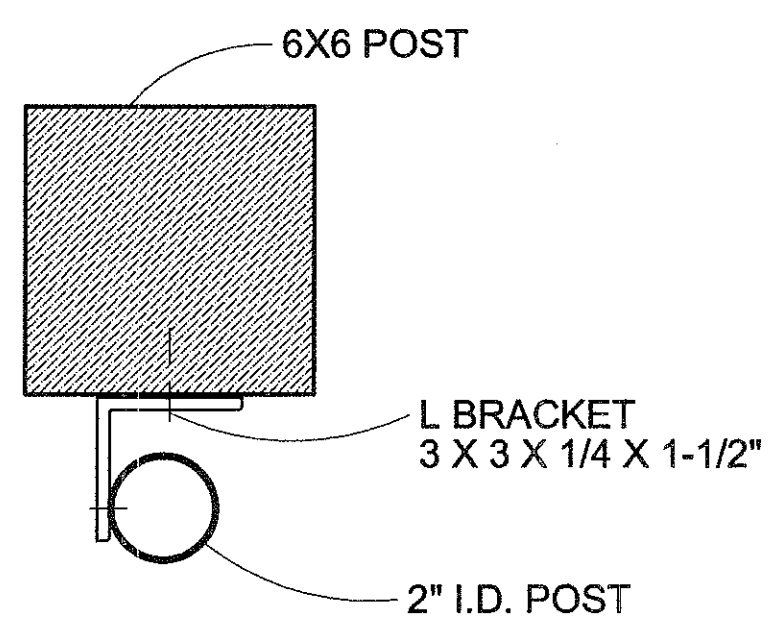


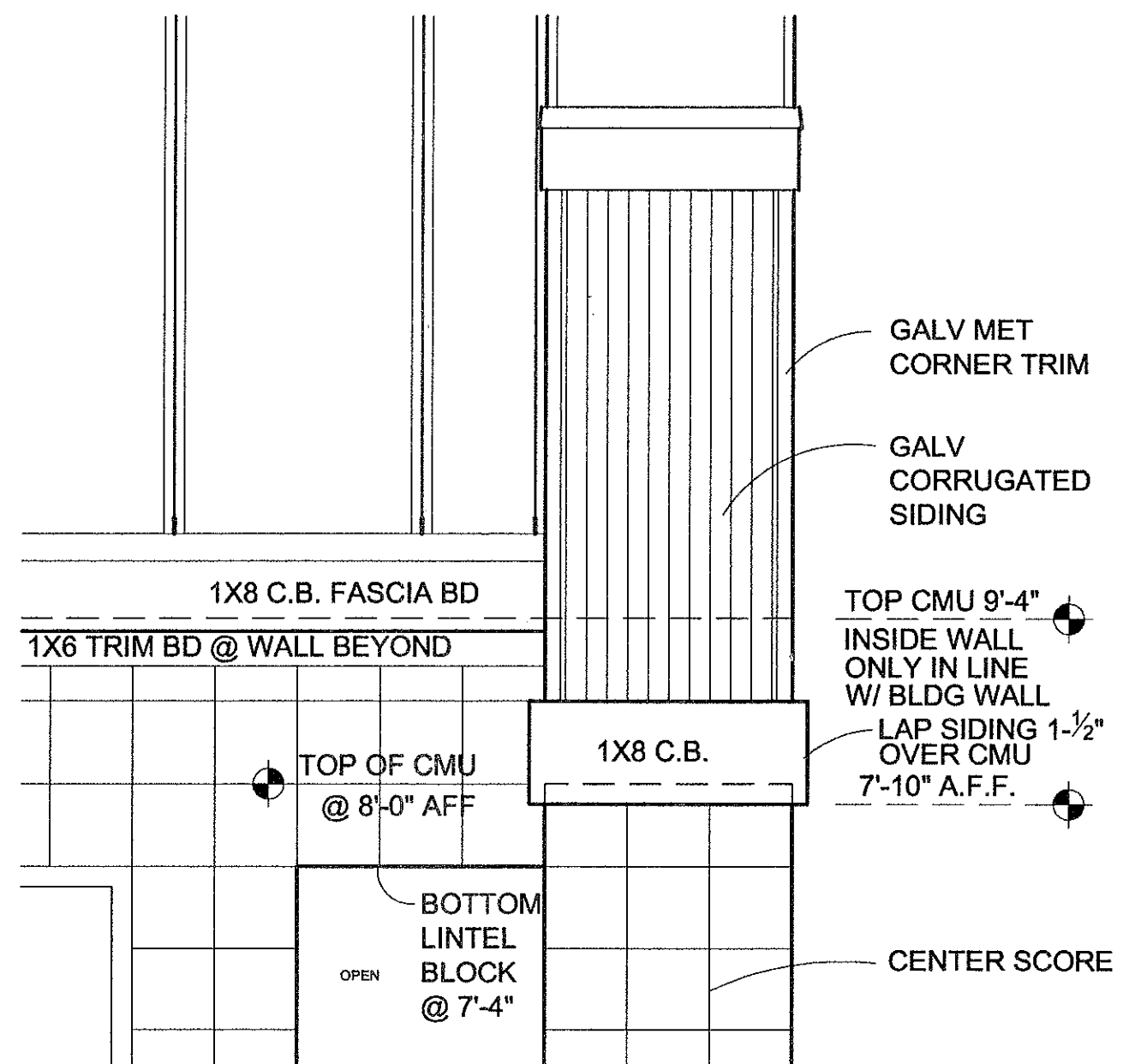
5  
A-2  
**DETAIL @ RAIL**  
SCALE: 3/4" = 1'-0"



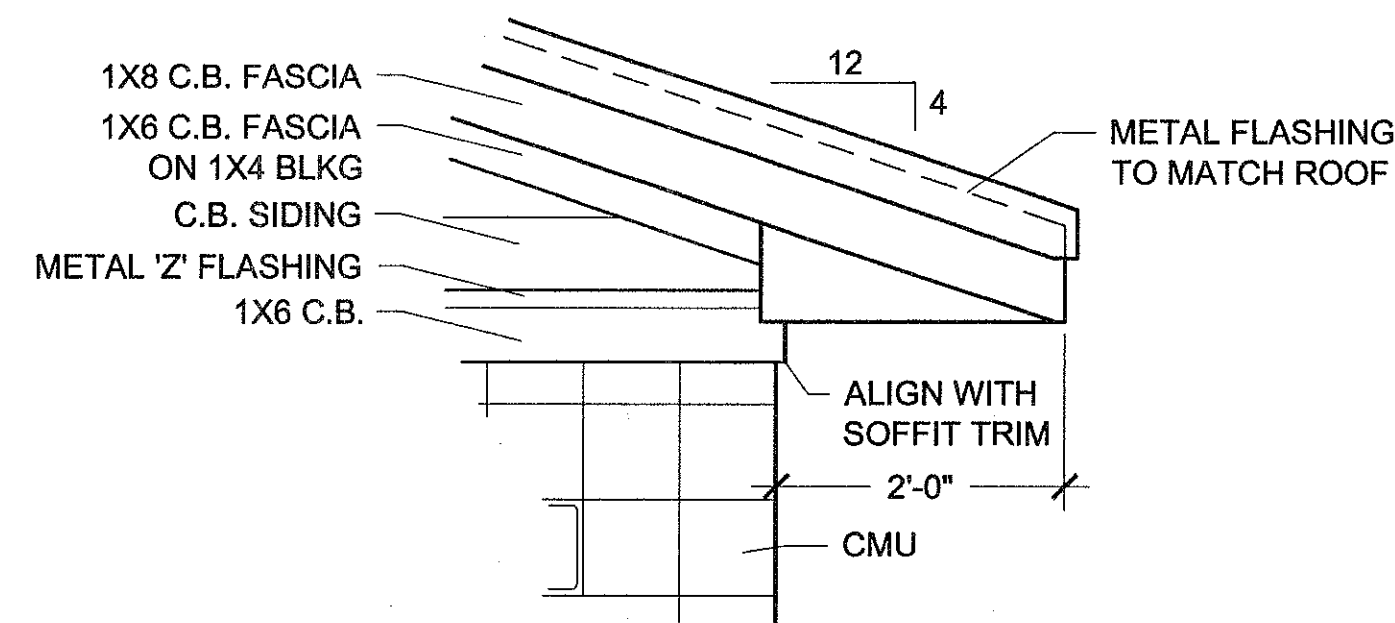
4  
A-2  
**SECTION @ RAIL**  
SCALE: 3/4" = 1'-0"



3  
A-2  
**RAIL SUPPORT DETAIL**  
SCALE: 3" = 1'-0"



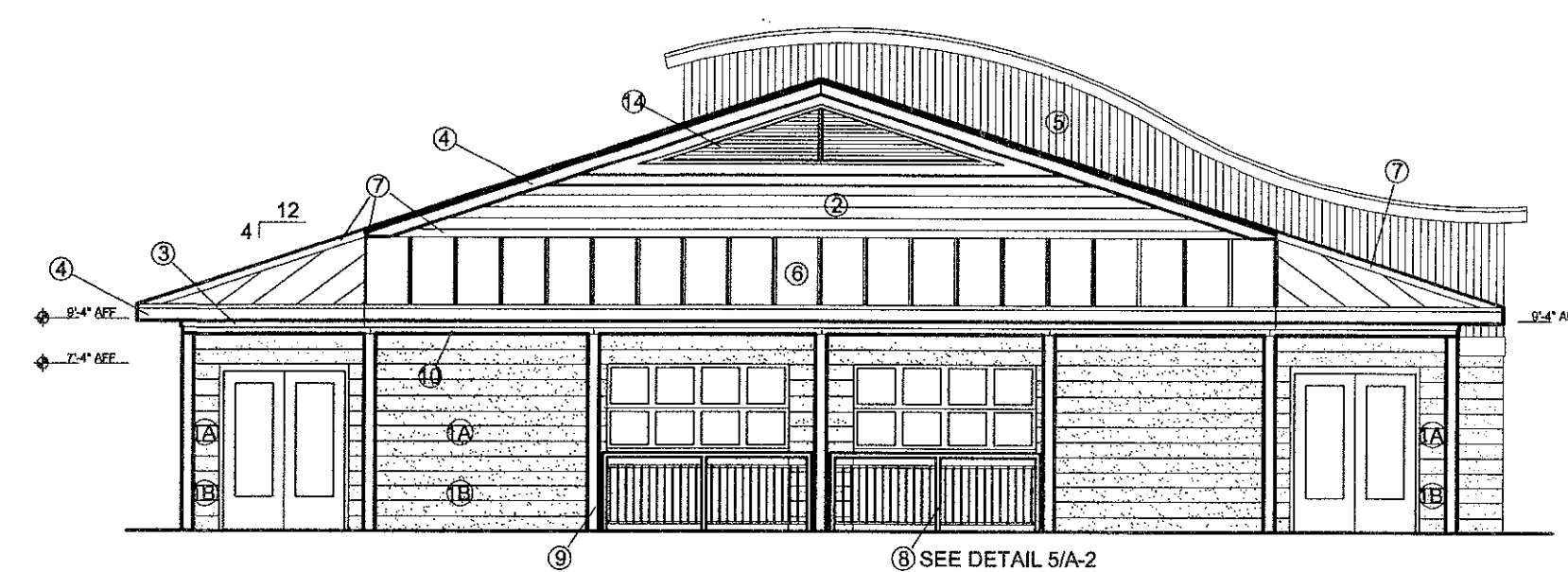
2  
A-2  
**DETAIL @ FRONT CANOPY**  
SCALE: 3/4" = 1'-0"



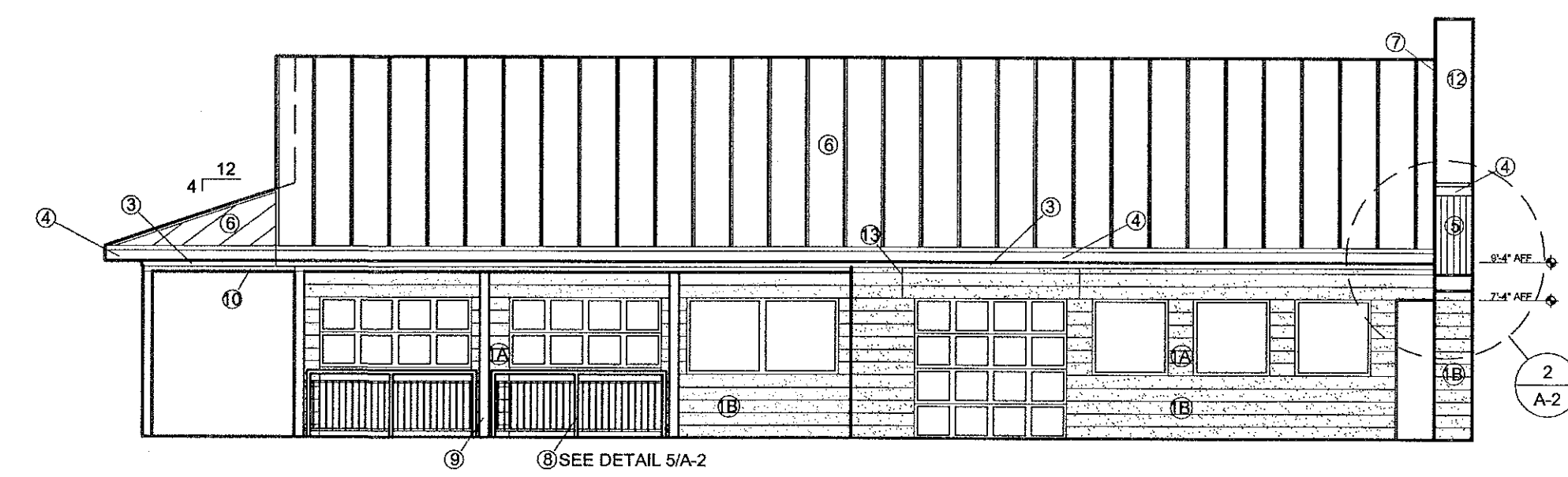
1  
A-2  
**DETAIL @ EAVE**  
SCALE: 3/4" = 1'-0"

**KEY**

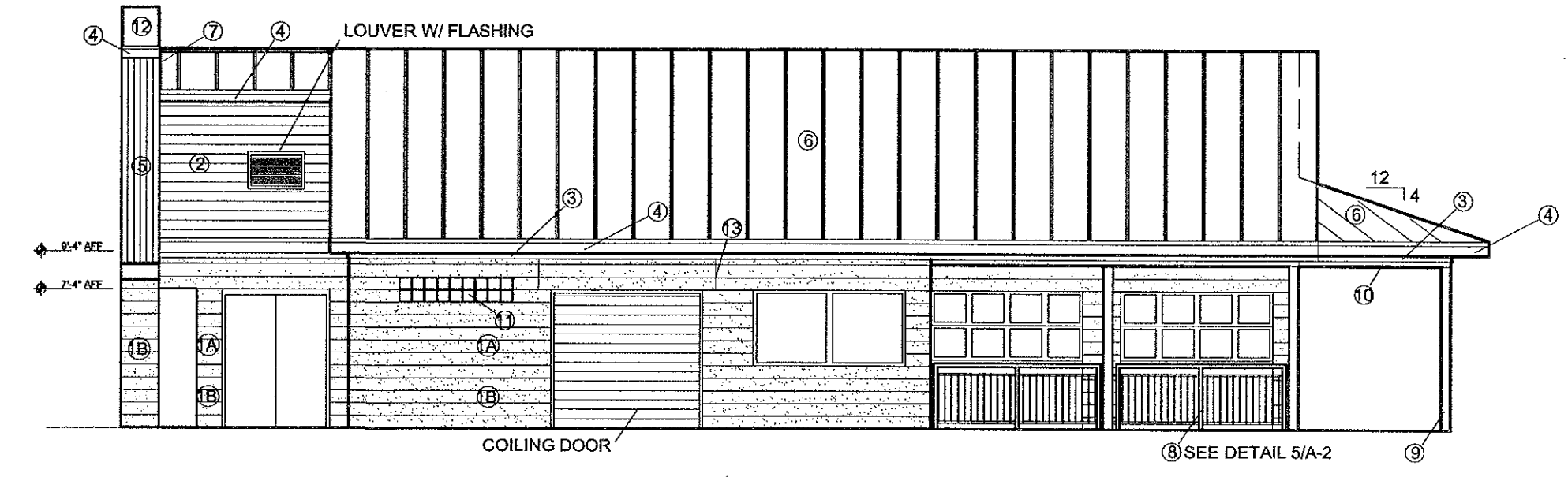
- ① SMOOTH FACED CMU W/ CENTER SCORE LAFARGE BCE-40 FOGGY GREY
- ② SMOOTH FACED CMU W/ CENTER SCORE LAFARGE BCE-59 EBONY
- ③ CEMENT BOARD (C.B.) SIDING - PAINTED
- ④ 1X8 CEMENT BOARD TRIM - PAINTED
- ⑤ 1X8 CEMENT BOARD FASCIA - PAINTED
- ⑥ CORRUGATED METAL SIDING (GALVALUME)
- ⑦ STANDING SEAM METAL ROOF
- ⑧ MET/ FLASHING TO MATCH ROOF
- ⑨ STEEL RAILING - PAINTED (SPECIAL COATING)
- ⑩ STEEL COLUMN - PAINTED
- ⑪ WOOD BEAM - PAINTED
- ⑫ 8"X8" GLASS BLOCK
- ⑬ METAL COPING TO MATCH ROOF
- ⑭ CMU CONTROL JOINT
- ⑮ PREFINISHED METAL LOUVER 30" X 15'-0"



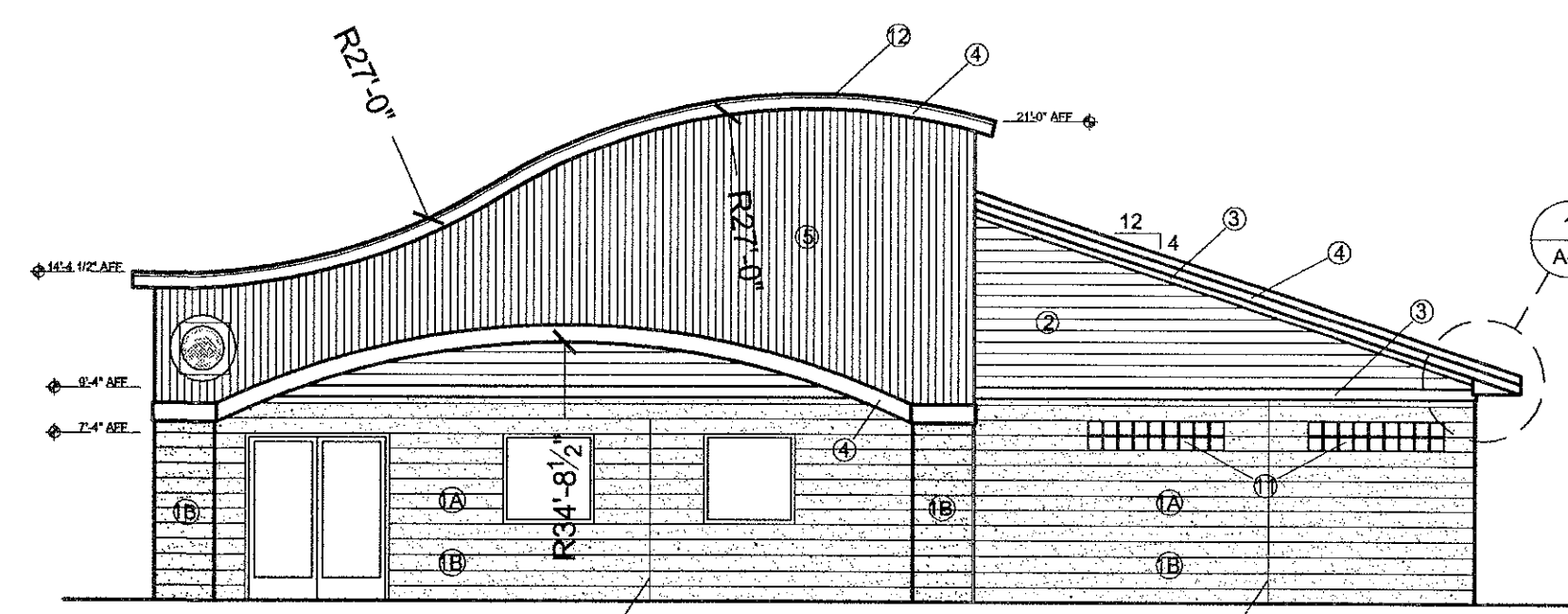
**REAR ELEVATION**  
SCALE: 1/8" = 1'-0"



**LEFT ELEVATION**  
SCALE: 1/8" = 1'-0"

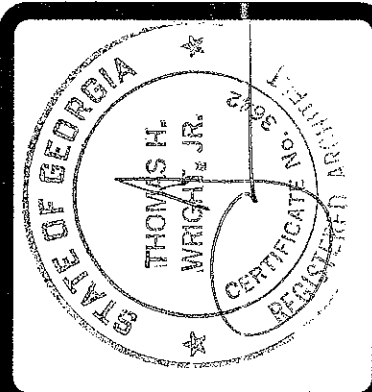


**RIGHT ELEVATION**  
SCALE: 1/8" = 1'-0"



**FRONT ELEVATION**  
SCALE: 1/8" = 1'-0"

ARCHITECTURAL - Elevations  
**BROOK RUN SKATE PARK**  
DEKALB CO. PARKS & RECREATION



**Wright Mitchell & Associates Inc**  
1174 Gimnes Bridge Rd.  
Roswell, GA 30075  
Suite 300  
(770) 998-8059

Revisions


Date	04.07.06
Project	06.005
Sheet Number	A-2
of 44 Sheets	58

Date Plotted: 04.07.06 10:43 AM