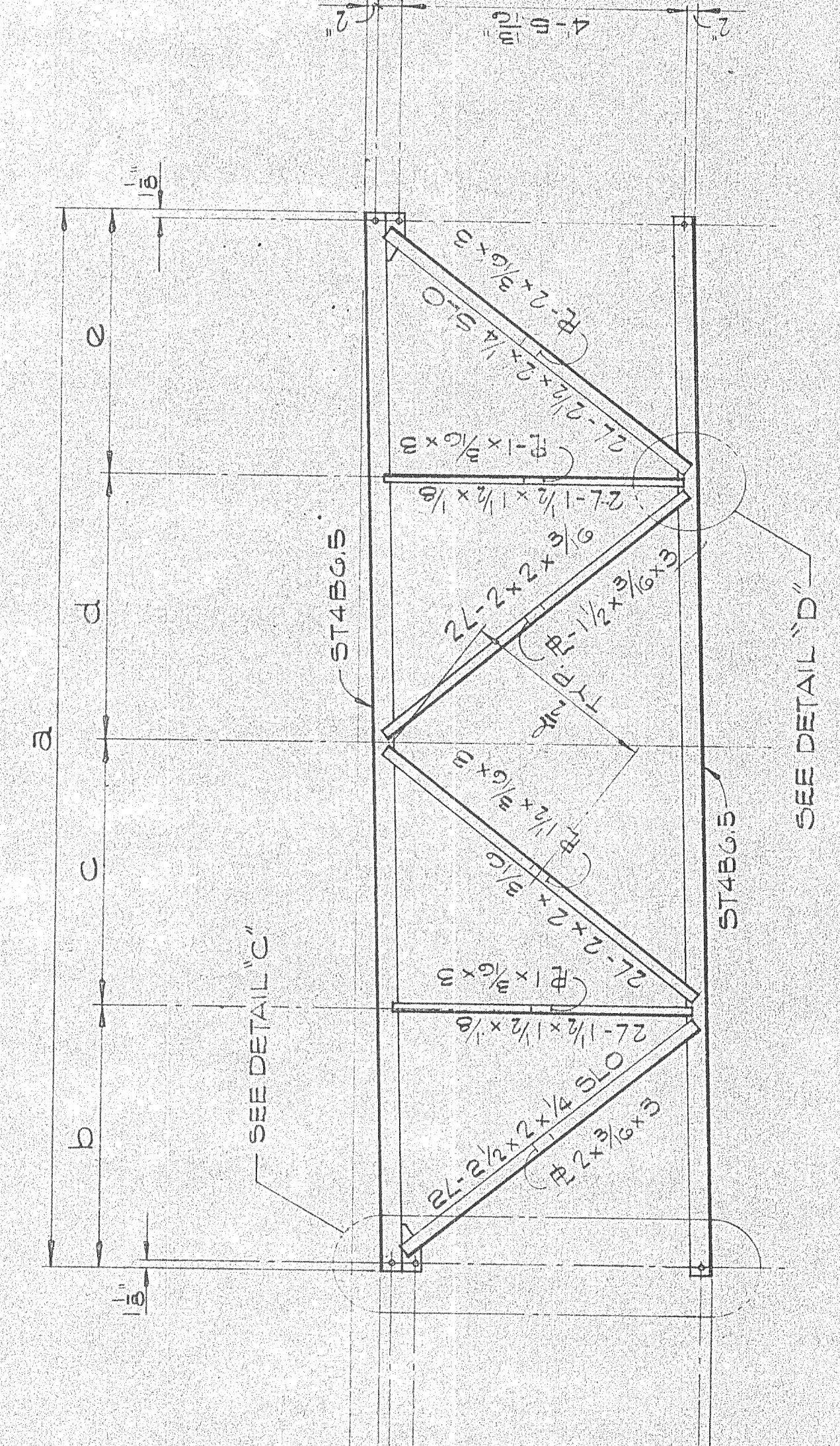
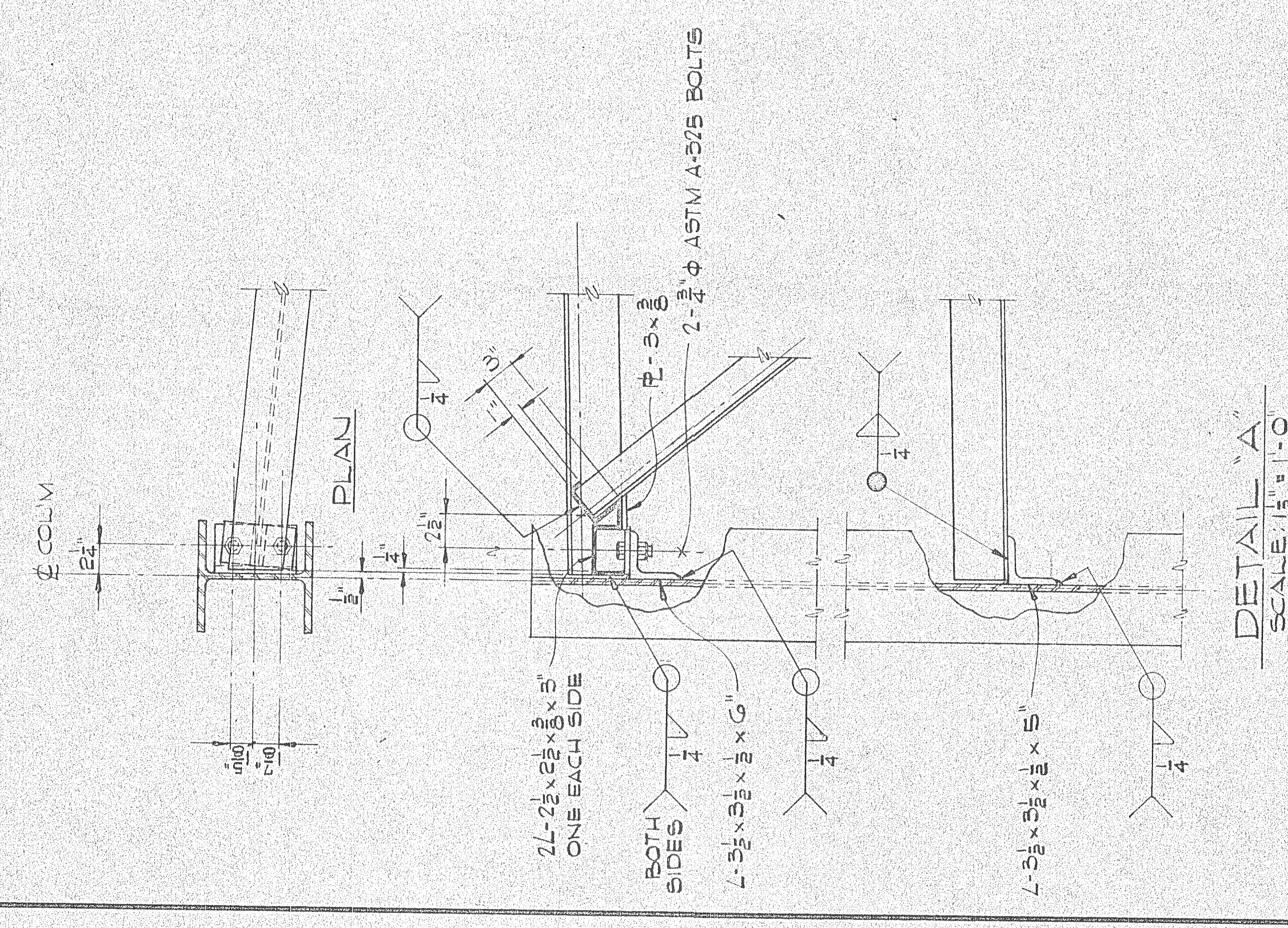


TRUSS T-3 & T-5
SEE TRUSS DIMENSION SCHEDULE FOR LITERAL DIMENSIONS
SCALE: 1/2" = 1'-0"

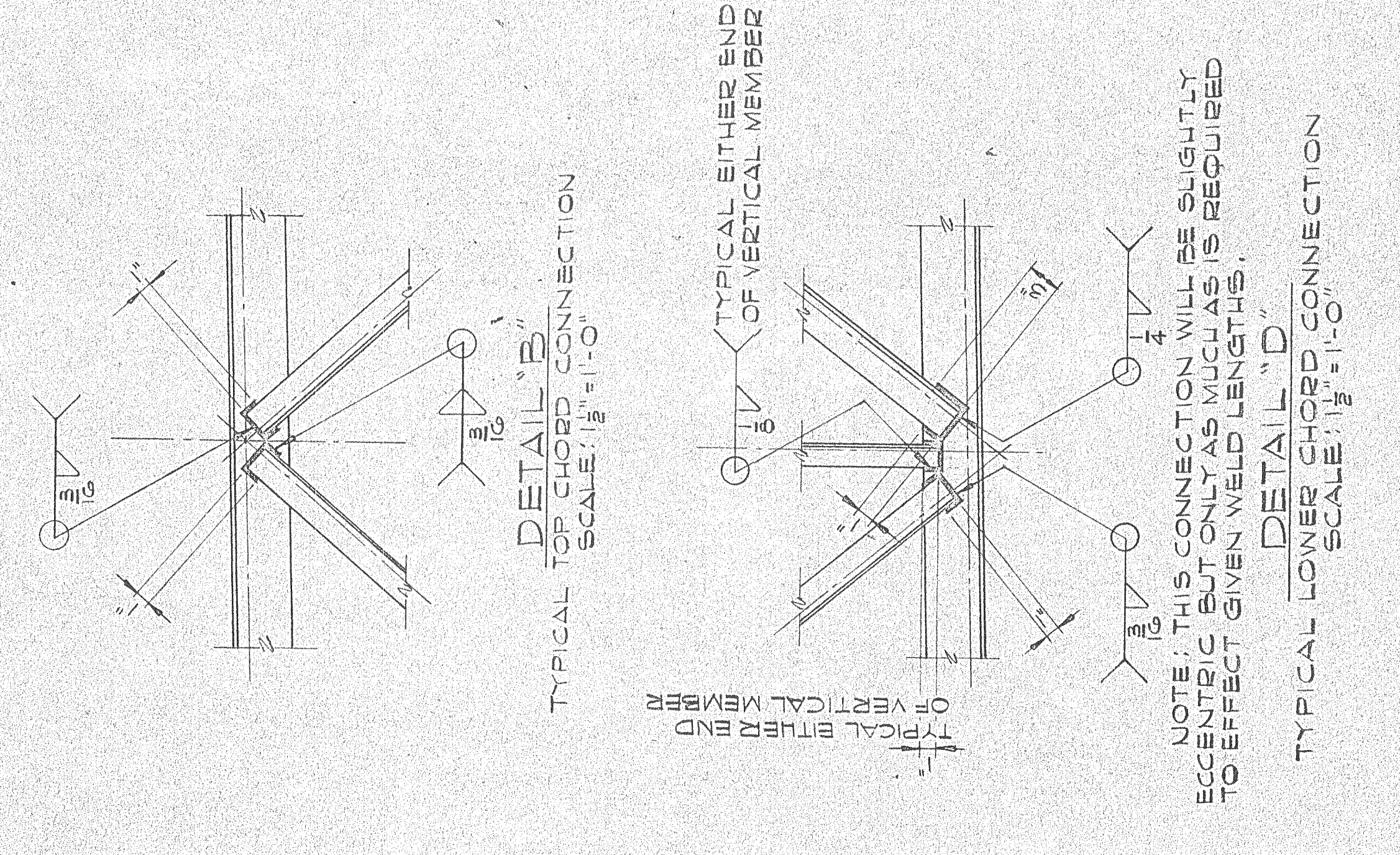


TRUSS T-4 & T-6
SEE TRUSS DIMENSION SCHEDULE FOR LITERAL DIMENSIONS
SCALE: 1/2" = 1'-0"

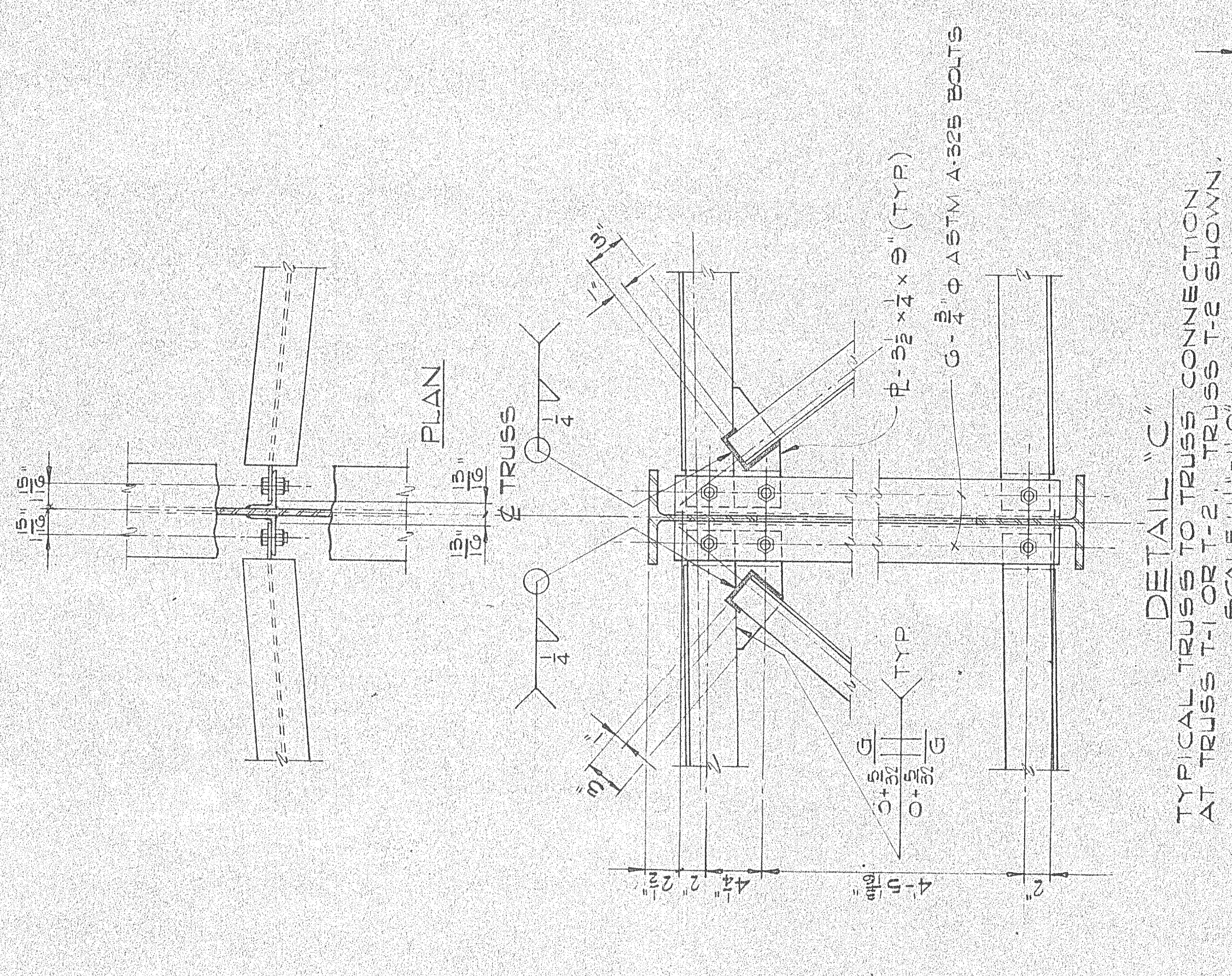
TRUSS DIMENSION SCHEDULE					
TRUSS	A	B	C	D	E
T-3	8'-5 1/2"	4'-0"	4'-7 1/2"	4'-0"	4'-0"
T-4	6'-7 1/2"	4'-1 1/2"	4'-2 1/2"	4'-1 1/2"	4'-1 1/2"
T-5	15'-7 1/2"	3'-0 1/2"	3'-11 1/2"	3'-11 1/2"	3'-10 1/2"
T-6	14'-1 1/2"	3'-0 1/2"	3'-0 1/2"	3'-0 1/2"	3'-0 1/2"



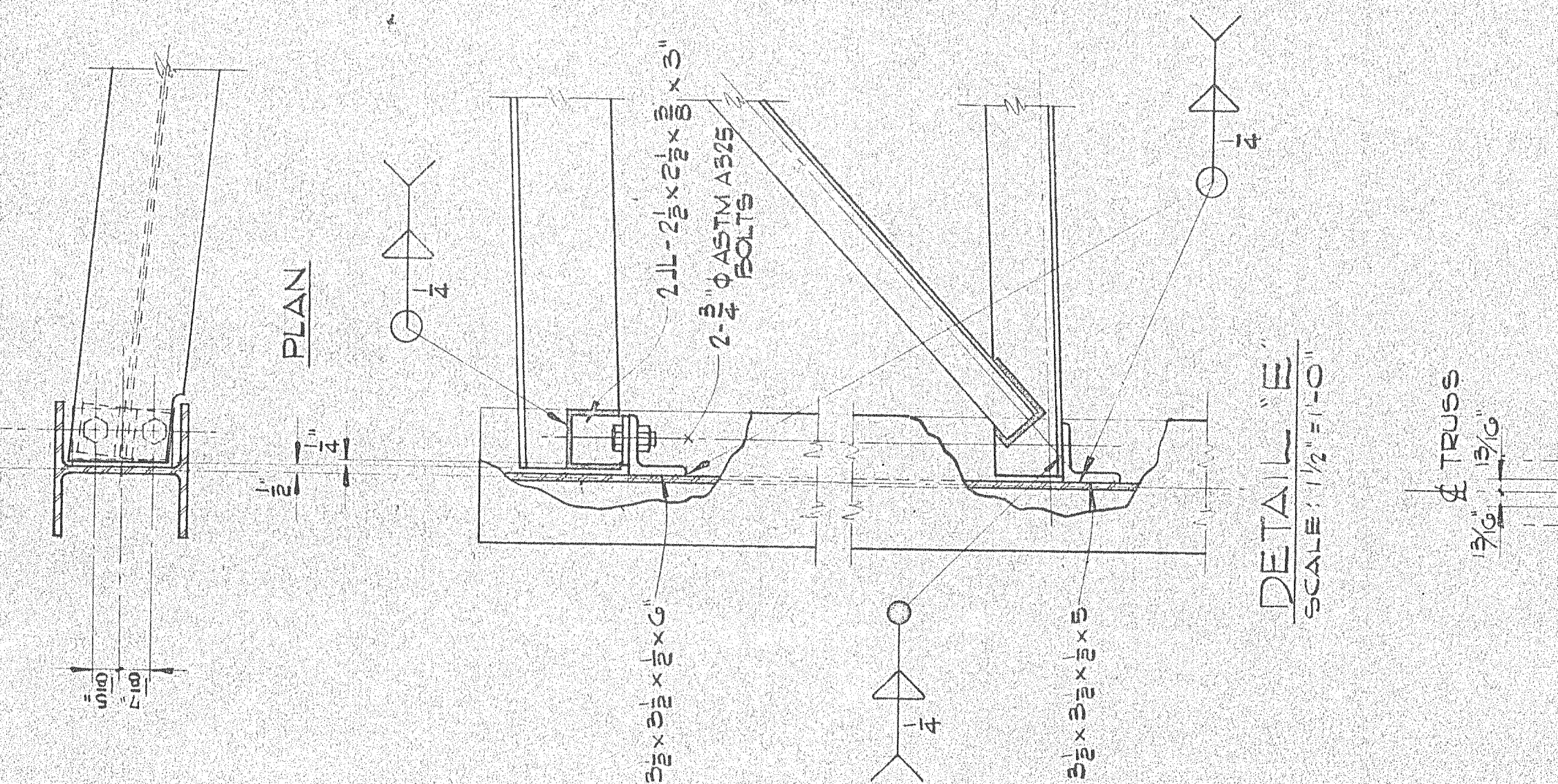
TRUSS T-7
SCALE: 1/8" = 1'-0"



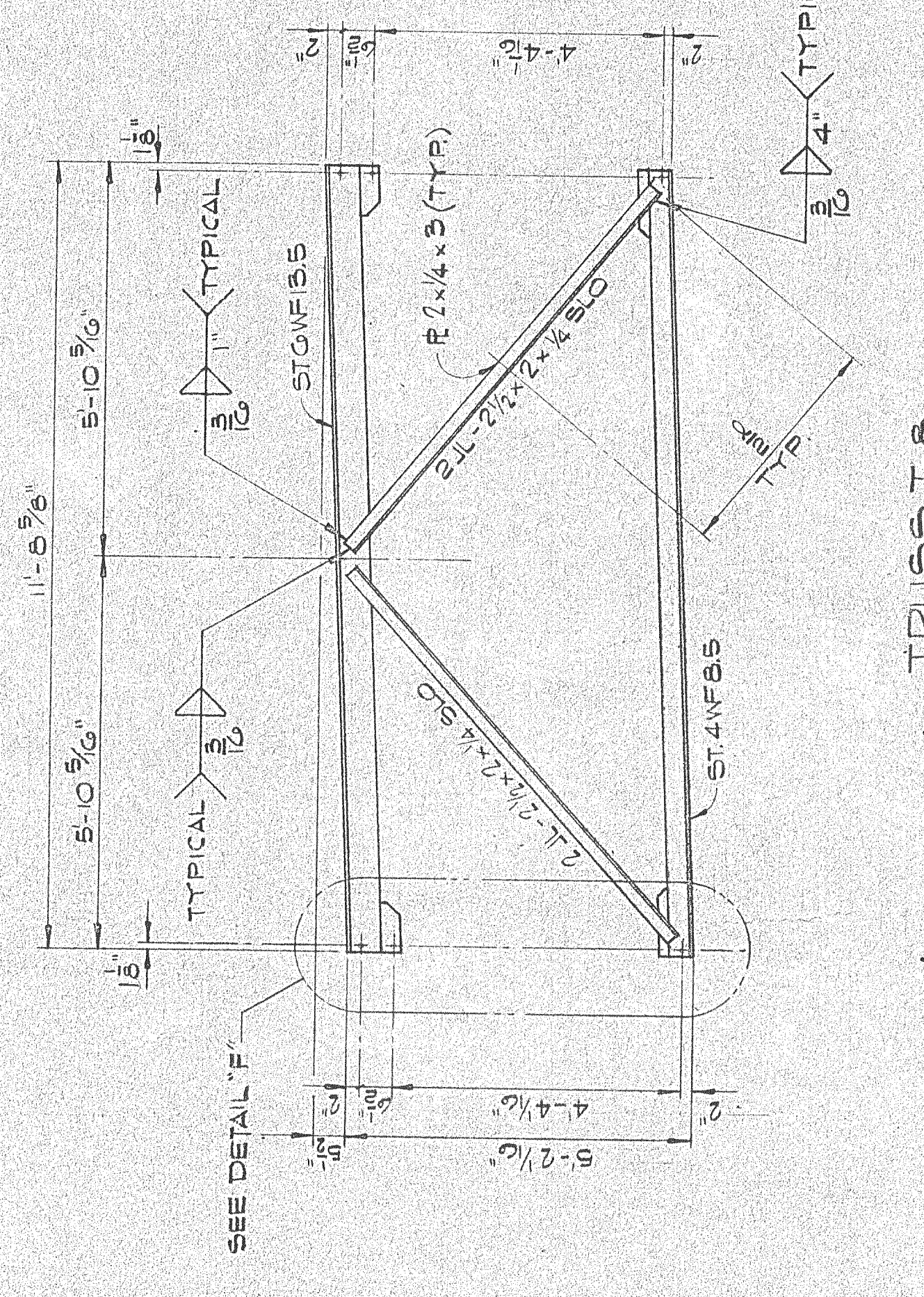
TRUSS T-8
SCALE: 1/8" = 1'-0"



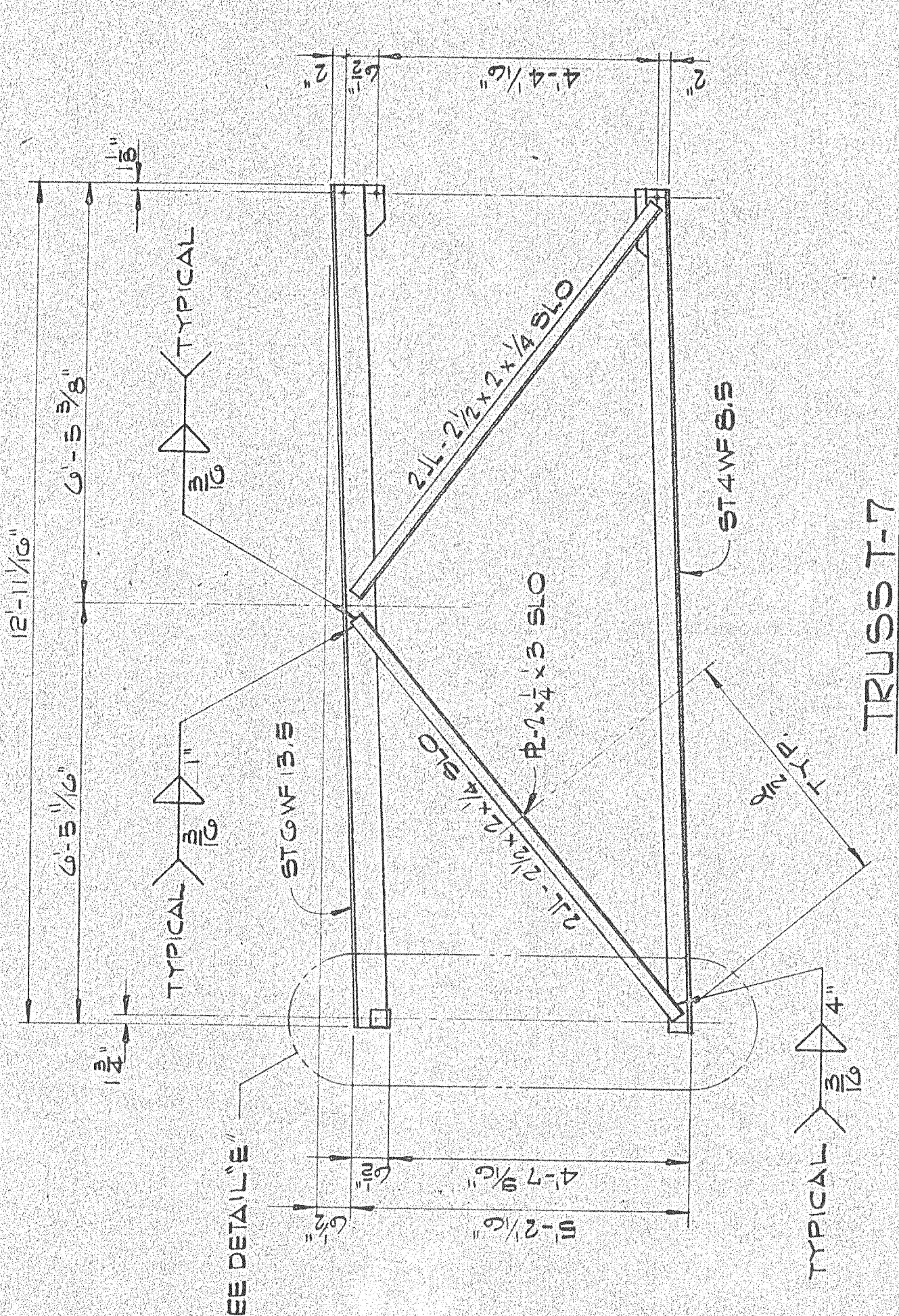
TRUSS T-9
SCALE: 1/8" = 1'-0"



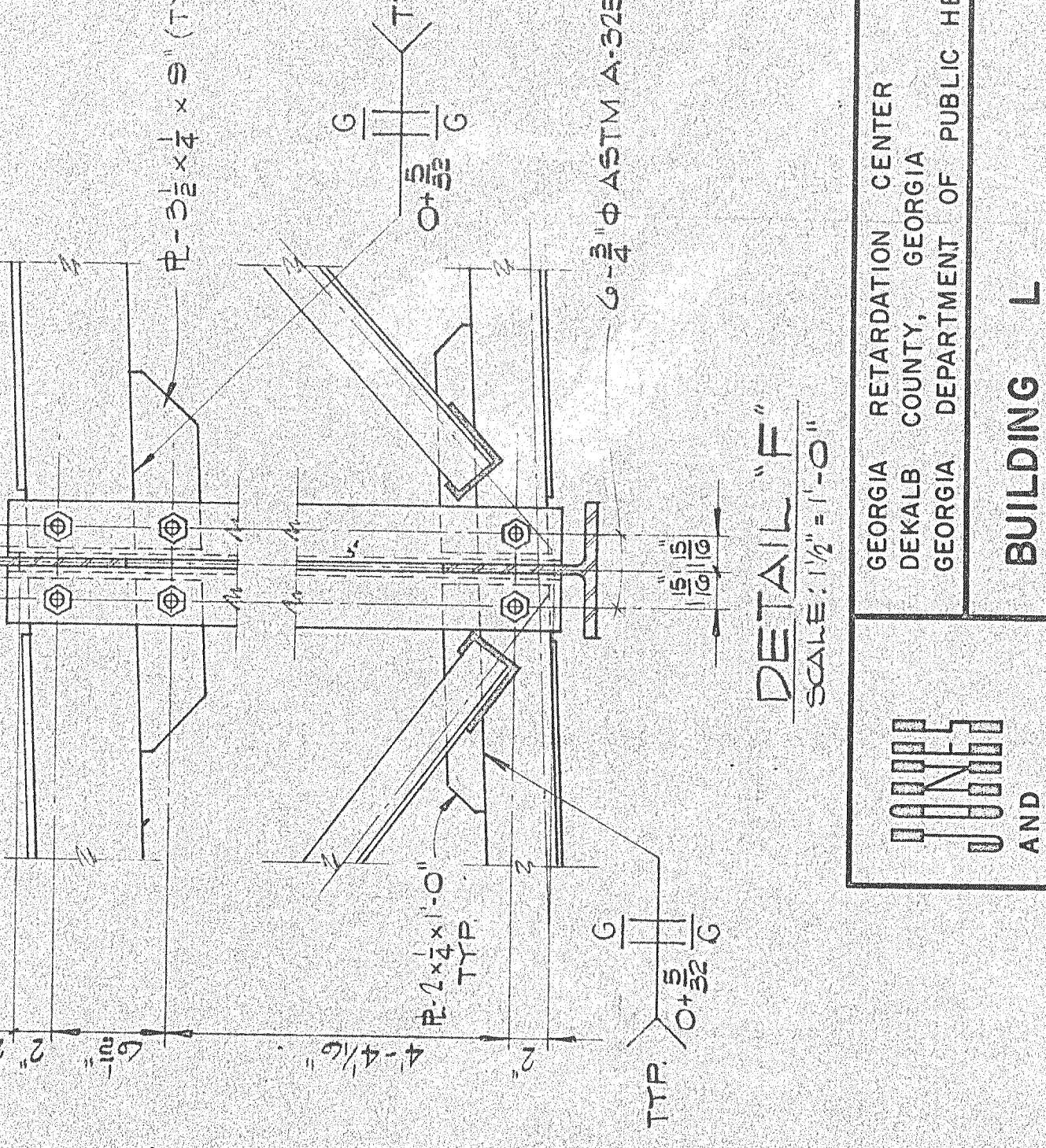
TRUSS T-10
SCALE: 1/2" = 1'-0"



TRUSS T-6
SCALE: 1/8" = 1'-0"



TRUSS T-7
SCALE: 1/8" = 1'-0"



TRUSS T-10
SCALE: 1/2" = 1'-0"

GEORGIA RETARDATION CENTER
DEKALB COUNTY, GEORGIA
GEORGIA DEPARTMENT OF PUBLIC HEALTH

BUILDING L

AUDITORIUM - TRUSSES & CONNECTION DETAILS

ARCHITECTS AND ENGINEERS
AUGUSTA, GEORGIA

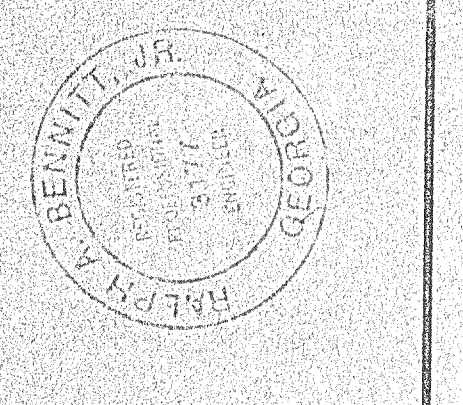
DATE: FEB. 1966

REVISION NO. 655

APPROVED BY: R.A.B.
CHECKED BY: R.A.B.
JOB NO. 655

DWG. NO. S-59

OF 73



DATE	REVISION	DESCRIPTION	BY
8/23/70	1	CHANGED TO AS BUILT DRAWINGS	W.H.H.