

To: Mayor and City Council

From: Brent Walker, Parks and Recreation Director

Date: August 28, 2023

Re: Contract Award for Installation of Shade Structures for Brook Run Park Baseball Fields

### **Summary**

Contract approval to for the installation of shade structures at Brook Run Park Baseball Fields.

### **Details**

The City solicited quotes for the installation of much needed shade structures over the spectator areas at Brook Run Park baseball fields. The quotes received are attached to this memorandum. Dunwoody Senior Baseball has offered to donate \$47,516 for the project. Funding for this project will be allocated from the General Capital Repairs and Improvements Fund

### **Recommendation**

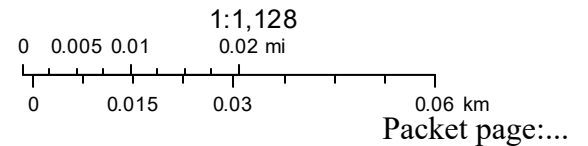
Staff respectfully requests that Council: (1) award a contract to Korkat in the amount of \$68,333 for materials and to Baldwin Building Systems Inc, in the amount of \$26,700 for installation and, a 10% contingency of \$9,500 for the project; (2) authorize staff to provide funding for the contract; and (3) authorize the City Manager to execute the necessary documents following satisfactory review by legal counsel.

Shade Structure Bids for Brook Run Park Baseball Fields

Line Item	Cantilever Shades		
	Baldwin/ Korkat	Pro Playgrounds	Gametime
Material 20x12	\$ 27,048.00	\$ 31,403.97	\$ 27,184.00
Material 33x14	\$ 43,488.00	\$ 42,047.38	\$ 45,735.00
Discount	\$ (4,769.52)	\$ (4,258.53)	
Shipping/Handling	\$ 2,566.00	\$ 2,820.55	inc
Subtotal	\$ 68,332.48	\$ 72,013.37	\$ 72,919.00
Installation	\$ 26,700.00	\$ 27,985.63	\$ 62,750.00
<b>Total</b>	<b>\$ 95,032.48</b>	<b>\$ 99,999.00</b>	<b>\$ 135,669.00</b>

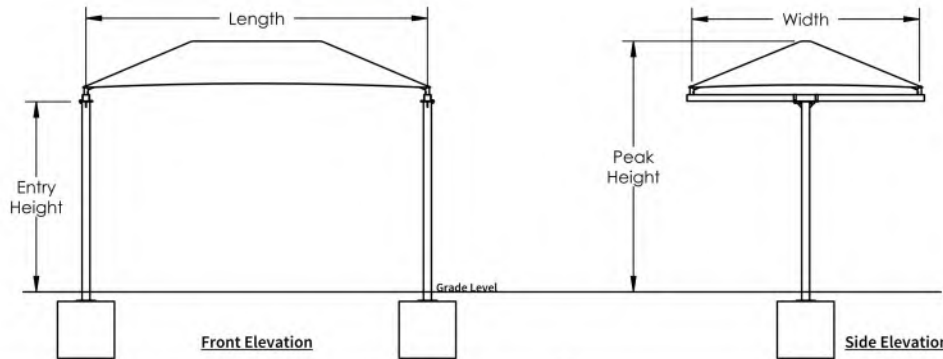
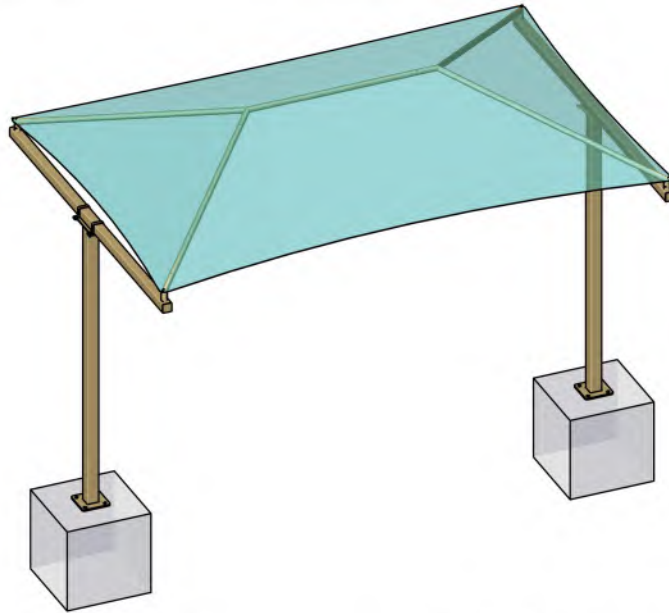


The City of Dunwoody does not warrant the accuracy or currency of the map provided and does not guarantee the suitability of the map for any purpose, expressed or implied.

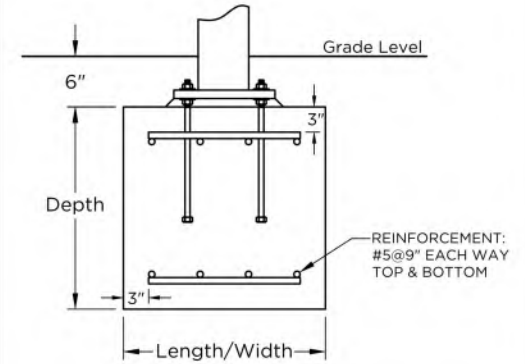


### Tee Cantilever Hip Shade

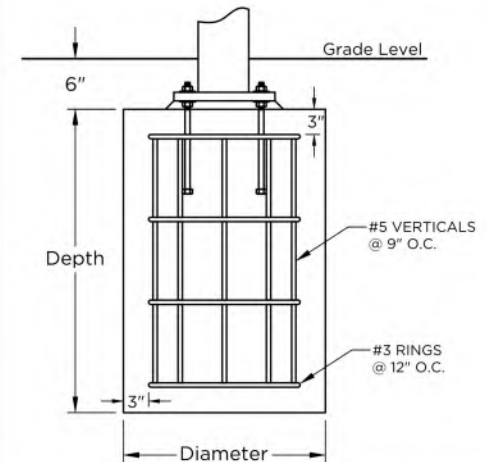
<b>Length</b>	20'	<b>Width</b>	12'	<b>Entry Height</b>	10'
<b>Peak Height</b>	12.42'	<b>Elbow</b>	Glide	<b>Column Mount</b>	Base Plate
<b>Column Size</b>	Ø5.0" 11-Ga	<b>Rafter Size</b>	Ø2.875" 12-Ga	<b>Ridge Size</b>	Ø2.875" 12-Ga
<b>Column Length</b>	10.5'	<b>Rafter Length</b>	8.53'	<b>Ridge Length</b>	8.88'
<b>Dome Qty.</b>	1	<b>Column Qty.</b>	2	<b>Beam Size</b>	5"x5"x3/16"



Square Footing		
Column	Length & Width	Depth
Single Cap	2.87	3
Double Cap	N/A	3



Auger Footing		
Diameter	Single Cap Depth	Double Cap Depth
1'-6"		
2'-0"	Out of range	N/A
2'-6"	4.03	N/A
3'-0"	Out of range	N/A



**SuperiorShade**

QUOTE

SHADE SIZE

20' X 12'

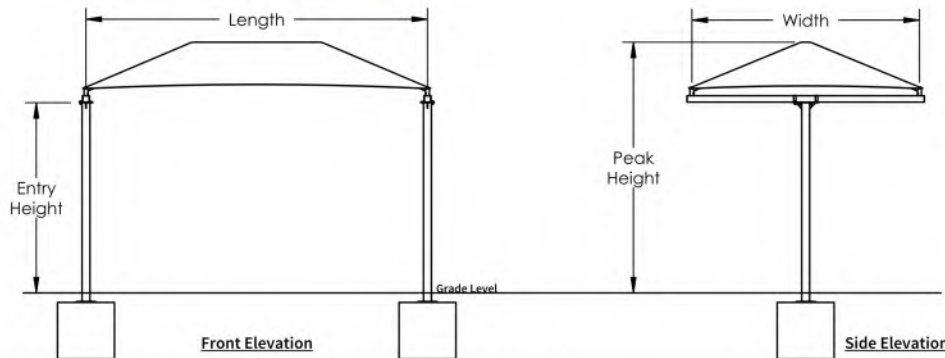
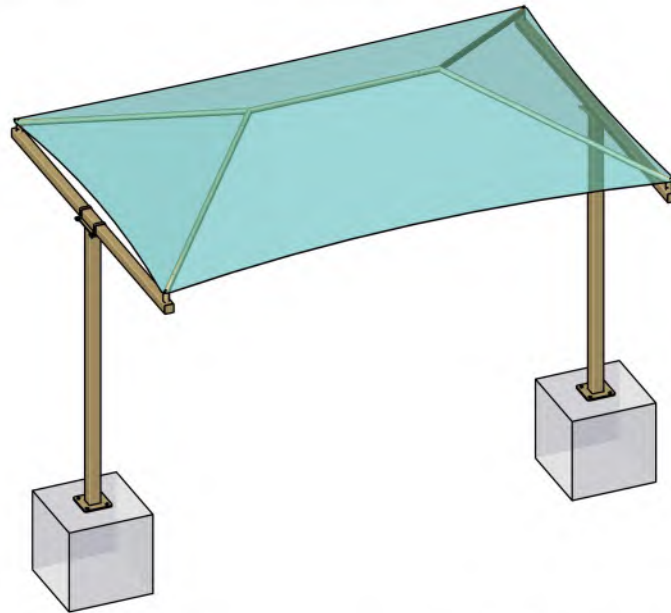
SHADE STYLE

**Tee Cantilever  
Hip Shade**

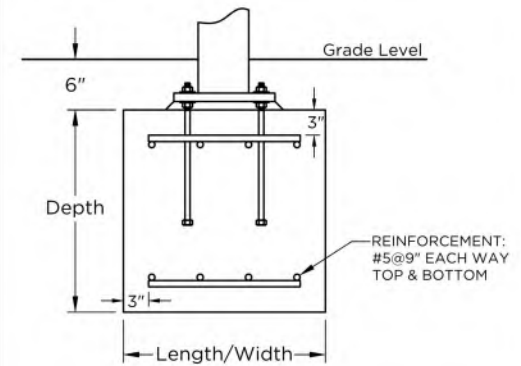
*These drawings are for reference only and should not be used as construction details. They show the general character and rough dimensions of the structural features. Exact spans, fasteners, materials, and foundations can be determined by a licensed professional engineer upon request. Estimated footing size above is based on 1,500 PSF soil bearing pressure.*

### Tee Cantilever Hip Shade

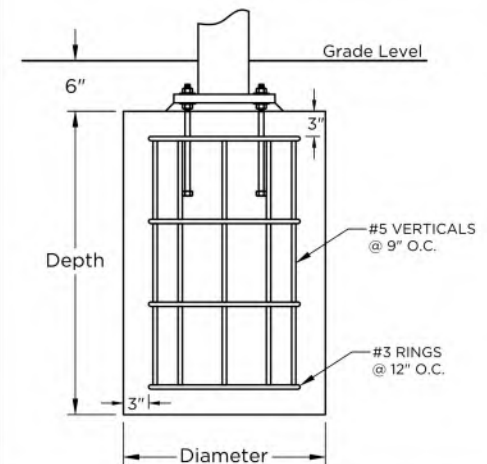
<b>Length</b>	33'	<b>Width</b>	14'	<b>Entry Height</b>	10'
<b>Peak Height</b>	12.83'	<b>Elbow</b>	Glide	<b>Column Mount</b>	Base Plate
<b>Column Size</b>	7"x7"x1/4"	<b>Rafter Size</b>	Ø3.5" 11-Ga	<b>Ridge Size</b>	Ø3.5" 11-Ga
<b>Column Length</b>	10.5'	<b>Rafter Length</b>	9.95'	<b>Ridge Length</b>	20.03'
<b>Dome Qty.</b>	1	<b>Column Qty.</b>	2	<b>Beam Size</b>	6"x6"x1/4"



Square Footing		
Column	Length & Width	Depth
Single Cap	3.98	3
Double Cap	N/A	3



Auger Footing		
Diameter	Single Cap Depth	Double Cap Depth
1'-6"		
2'-0"	Out of range	N/A
2'-6"	Out of range	N/A
3'-0"	5.39	N/A



**SuperiorShade**

QUOTE

SHADE SIZE

33' X 14'

SHADE STYLE

**Tee Cantilever  
Hip Shade**

*These drawings are for reference only and should not be used as construction details. They show the general character and rough dimensions of the structural features. Exact spans, fasteners, materials, and foundations can be determined by a licensed professional engineer upon request. Estimated footing size above is based on 1,500 PSF soil bearing pressure.*

# T Cantilever



## Material Features

### Fabric

- Made from UV stabilized high density polyethylene fabric that prevents fading from the sun
- Raschel-knitted to prevent fraying and shades 34' and larger receive Kevlar® reinforced corners
- Blocks up to 98% of harmful UV rays, depending upon color choice
- Fabric breathes allowing hot air to rise and escape
- Available fabric to meet California State Fire Marshal requirements, NFPA 701, and ASTM E84

### Frames

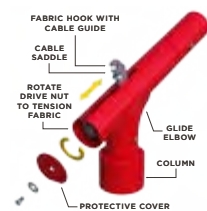
- Engineered to withstand wind speeds up to 150 mph with fabric removed
- Structural tubing complies with ASTM standards
- Finished product includes 6 to 8 mils of combined primer and powder coat — all backed by 5,000 hours of testing per ASTM Method B117



## Glide Elbow™



Our Glide Elbow™ quick release mechanism allows for easy installation and removal of your fabric — in the case of a fabric refresh or inclement weather. All you need is a wrench or cordless drill (with the right sized socket). What's more, metal-on-metal wear is minimized with our fabric hook connection. Our Glide Elbow™ is backed by a [1-year limited warranty](#).



## Certified Fabricator/Products

- LADBS Certified Fabricator\*
- City of Houston Registered Fabricator\*
- California Division of the State Architect

\*Certificate available upon request.



## Designer's Corner



Shade (Un)Covered Continuing Education Course



Our shades are available on CADdetails



View in 360° and choose colors with our Color Applier



Our shades are available on Sketchfab

## Warranty

Superior Recreational Products (SRP) warrants that its product will be free from defects in materials and workmanship as well as maintain structural integrity for the periods listed below from the date of invoice and once SRP has been paid in full. This warranty is in effect only if the product has been assembled and installed strictly in accordance with the setup instructions provided by SRP, good construction practices, general maintenance and care is provided as per instructions in the customer packet, and has been subjected only to normal use and exposure. Product should be maintained per the instructions given at time of delivery.

- LW** Lifetime\* Warranty on stainless steel hardware
- 20** 20-Year Limited Warranty on framework
- 10** 10-Year Limited Warranty on fabric
- 5** 5-Year Limited Warranty on powder coat
- 1** 1-Year Limited Warranty on cables
- 1** 1-Year Limited Warranty on materials not above

### Pricing Policy

All prices are F.O.B. factor and do not include freight, installation, shipping, handling, surfacing, or applicable taxes. Prices are subject to change without notice.

### Cancellation and Return Policy

To view our return policy, please visit [superiorrecreationalproducts.com/returns](http://superiorrecreationalproducts.com/returns).

### Shipping Policy

To view our shipping policy, please visit [superiorrecreationalproducts.com/shipping](http://superiorrecreationalproducts.com/shipping).

**\*View our complete warranty at [srpshade.com/srp-shade-warranty](http://srpshade.com/srp-shade-warranty).**

## Color Options

### Frames

Backed by a [5-year limited warranty](#).

### Gloss

- |  |                    |                                       |              |
|--|--------------------|---------------------------------------|--------------|
|  | Red                |                                       | Blue         |
|  | Orange             |                                       | Periwinkle   |
|  | Butterscotch       |                                       | Royal Purple |
|  | Yellow             |                                       | Burgundy     |
|  | NEW! Ice Butter CS |                                       | Beige        |
|  | Spring Green       |                                       | Vanilla      |
|  | NEW! Ice Mint CS   |                                       | Brown        |
|  | Chartreuse         |                                       | Black        |
|  | Green              |                                       | White        |
|  | Sage               | <b>Matte, Textured &amp; Metallic</b> |              |
|  | NEW! Sea Mist CS   |                                       | Champagne    |
|  | NEW! Azure CS      |                                       | Metallic     |
|  | NEW! Ocean CS      |                                       | Bronze       |
|  | Sky Blue           |                                       | Starlight    |

### Waterproof Shade Fabric

For our Arched Cantilever, Flower, and Single Post and Cantilever Waterproof Umbrellas. Backed by a [10-year limited warranty](#).

- Tan
- White

## YOUR QUOTES USE THESE FABRIC COLOR CHOICES

### Traditional Fabric

This selection of fabric options includes colors that are California Fire Marshal certified and pass the NFPA 701 or ASTM E84 tests. Select color options are noted as flame retardant. Backed by a [10-year limited warranty](#).

- |  |  |  |  |  |
|--|--|--|--|--|
|  |  |  |  |  |
|  |  |  |  |  |
|  |  |  |  |  |
|  |  |  |  |  |
|  |  |  |  |  |

### Dual Shade Fabric

Available for an upcharge for our Hypar Umbrella, Triangle Sail, and Hyperbolic Sail. Backed by a [10-year limited warranty](#).

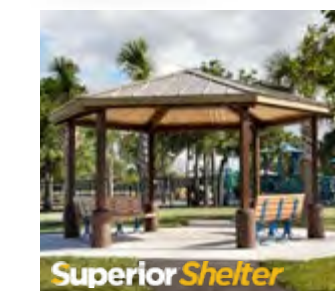
- |  |  |  |  |  |
|--|--|--|--|--|
|  |  |  |  |  |
|  |  |  |  |  |
|  |  |  |  |  |

**CS** Color Coming Soon! Ask your representative about availability.

## Complete Your Space

When combined, Superior Recreational Products' product lines create complete site environments. Design your space using one superior company.

Visit [srpshade.com](http://srpshade.com), [srpplayground.com](http://srpplayground.com), and [srpsiteamenities.com](http://srpsiteamenities.com) to learn more.



Packet page:...